

New Convivio™ 3 phase distribution boards

Cat.No(s):
 507500/01/02/03/04/05/06/07/08/09/10/11/12/13/14/15/16/17/18/
 19/20/21/22/23



CONTENTS	PAGES
1. Overall description	1
2. Product range	1-2
3. Dimensions	2
4. General features	3
5. Conformity and approvals	3
6. Equipment and accessories	3-6

1. OVERALL DESCRIPTION

The enclosures New Convivio are cabinets with a particular "all modular ready to re-use configuration". Wide range of setups: from 4 ways (12 poles) to 18 ways (54 poles)

- Compatible with DPX3 160, DPX3 250 and MCBs
- Easy adjustment of rail position
- Large faceplate
- High capacity
- Flexibility for terminals connection (neutral/ground)

2. PRODUCT RANGE

1. Distribution boards up to 63A (MCBs)

Item codes	Number of poles	Number of 3P ways	Maximum rating
507500	12	4	125A
507501	18	6	125A
507502	24	8	125A
507503	30	10	125A
507504	36	12	125A
507505	42	14	125A
507506	48	16	125A
507507	54	18	125A

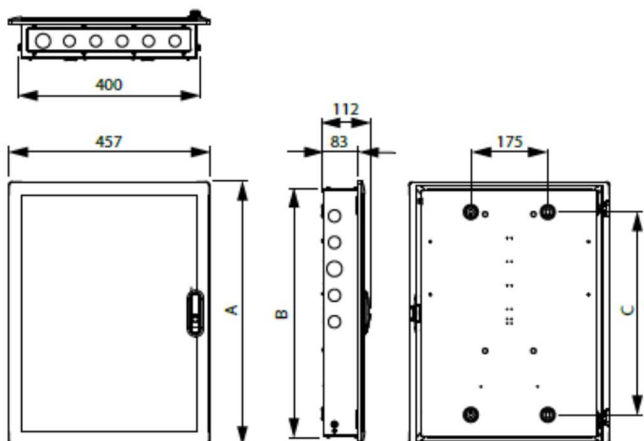
2. Distribution boards up to 125A (DPX3 160A)

Item codes	Number of poles	Number of 3P ways	Maximum rating
507508	12	4	160A
507509	18	6	160A
507510	24	8	160A
507511	30	10	160A
507512	36	12	160A
507513	42	14	160A
507514	48	16	160A
507515	54	18	160A

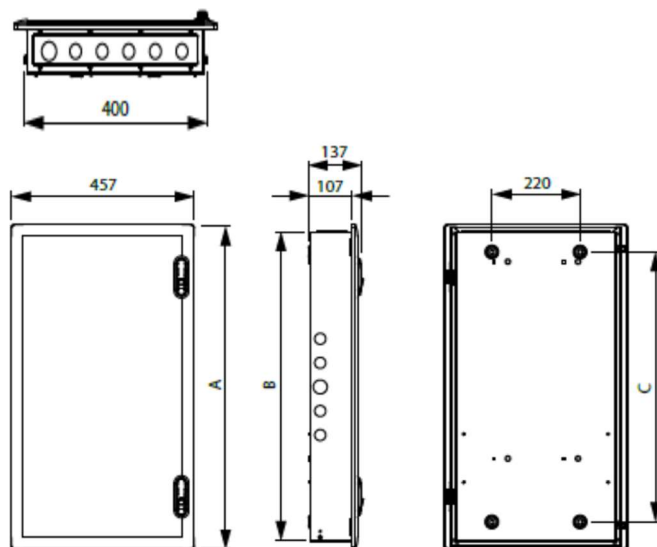
3. Distribution boards up to 250A (DPX3 250A)

Item codes	Number of poles	Number of 3P ways	Maximum rating
507516	12	4	250A
507517	18	6	250A
507518	24	8	250A
507519	30	10	250A
507520	36	12	250A
507521	42	14	250A
507522	48	16	250A
507523	54	18	250A

3. DIMENSIONS



	A	B	C
5 075 00	490	451	352
5 075 01	544	505	406
5 075 02	598	559	460
5 075 03	673	635	536
5 075 04	728	689	590
5 075 05	781	743	644
5 075 06	898	860	761
5 075 07	898	860	761



	A	B	C
5 075 08	703	664	565
5 075 09	757	718	619
5 075 10	811	772	673
5 075 11	865	826	727
5 075 12	919	880	781
5 075 13	973	934	835
5 075 14	1027	988	889
5 075 15	1081	1042	943
5 075 16	703	664	565
5 075 17	757	718	619
5 075 18	811	772	673
5 075 19	865	826	727
5 075 20	919	880	781
5 075 21	973	934	835
5 075 22	1027	988	889
5 075 23	1081	1042	943

4 GENERAL FEATURES

4.1 Technical properties

- Degree of protection : IP43
- Impact value : IK09
- Color of the cabinet : White RAL 9016
- Rated conditional short circuit current MCCB = 36kA
- Busbar rated short-time withstand current (I_{cw}) = 17kA x 0,25 sec
- I_{pk} = 34 kA
- Storage and usage temperatures: -5 °C to +40°C
- Maximum permissible current 250 A

4.2 Materials

- Frontal panel : steel **0,8** mm thickness
- Door : steel 1,0 mm thickness
- Chassis : steel 1 mm thickness
- Material of the handle : PA6

2 CONFORMITY AND APPROVALS

- Conform with standards: IEC 61439-1 and IEC 61439-3.
- Type tested busbar
- Busbar assembly Fire resistance according to IEC 60695-2-1 750°C/s

6. EQUIPMENT AND ACCESSORIES

6.1 Equipment

The cabinets are suitable for installation of different types of equipments:

Main breaker :

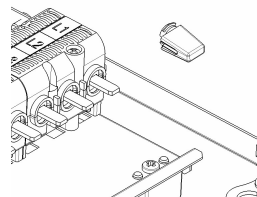
- MCBs
- DPX³

Outgoing :

- MCBs

6.1 Accessories

- **Insulation caps**
Item 507527



- **Terminal blocks earth insulating kit**
Item 507526

